

- AL-Cellstacks:**
 2 x 4 -995mm x 200mm x 330mm
 2 x 4 -995mm x 200mm x 200mm
- Adjustment Cellstacks:**
 2 x 1 - 995mm x 220mm x 330mm
 2 x 1 - 995mm x 220mm x 200mm
 (Adj. Cellstacks with double doors:
 1 - 995mm x 220mm x 330mm
 1 - 995mm x 186mm x 330mm
 1 - 995mm x 220mm x 200mm
 1 - 995mm x 186mm x 200mm)

Actual components detailed in attached specification

Notes:

.....

.....

.....

.....

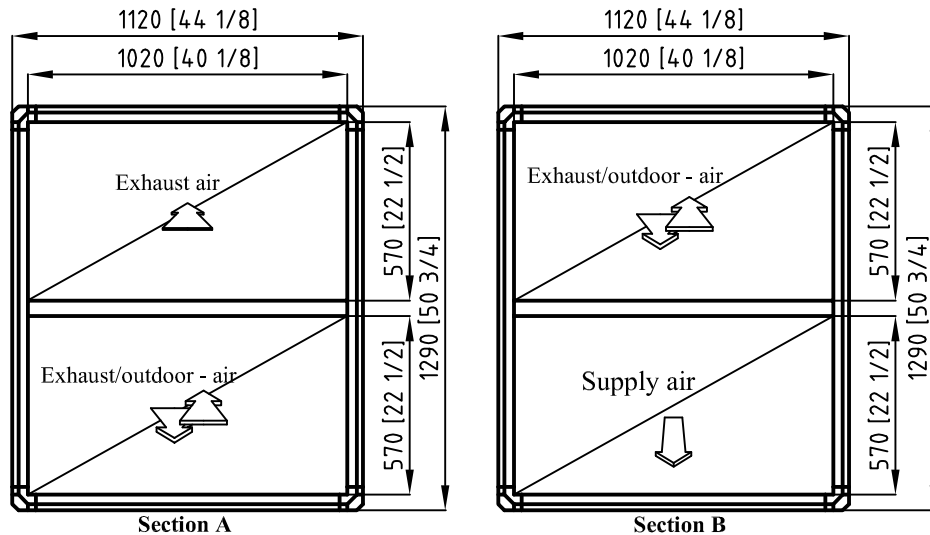
.....

.....

Exhaust filters and cooling/heating coils are available as extras. Extra coils will be placed in a separate unit after the main unit. The unit's dimensions are based on the size of the chosen coil and appropriate inspection plenum.

Drawing subject to change without notice

Tempeff North America Ltd.
 1369 Erin Street, Winnipeg, MB
 Tel:(204) 783-1902, Fax:(204) 633-0496



NOTES:
 (S) SPLIT FOR SHIPMENT

- SERVICE ACCESS PANELS MUST NOT BE OBSTRUCTED RECOMMENDED CLEARANCE = SECTION SIZE.
- DIMENSIONS ARE SUBJECT TO MANUFACTURING TOLERANCES. FOR REFERENCE USE ONLY, SUBJECT TO CHANGE WITHOUT NOTICE

Also available with optional double doors

THIS DRAWING IS THE PROPERTY OF TEMPEFF NORTH AMERICA. UNAUTHORIZED USE OR DUPLICATION IS PROHIBITED. USE OTHER THAN INTENDED USE IS PROHIBITED.

Drawn By: RE	Checked by: ---	Rev. A	Under rubrik: Sammanställning	Date: 2002-04-02	Scale: 1:20
			RG 3600 Type 1 with Blowers by others		
			1036 001 BO		